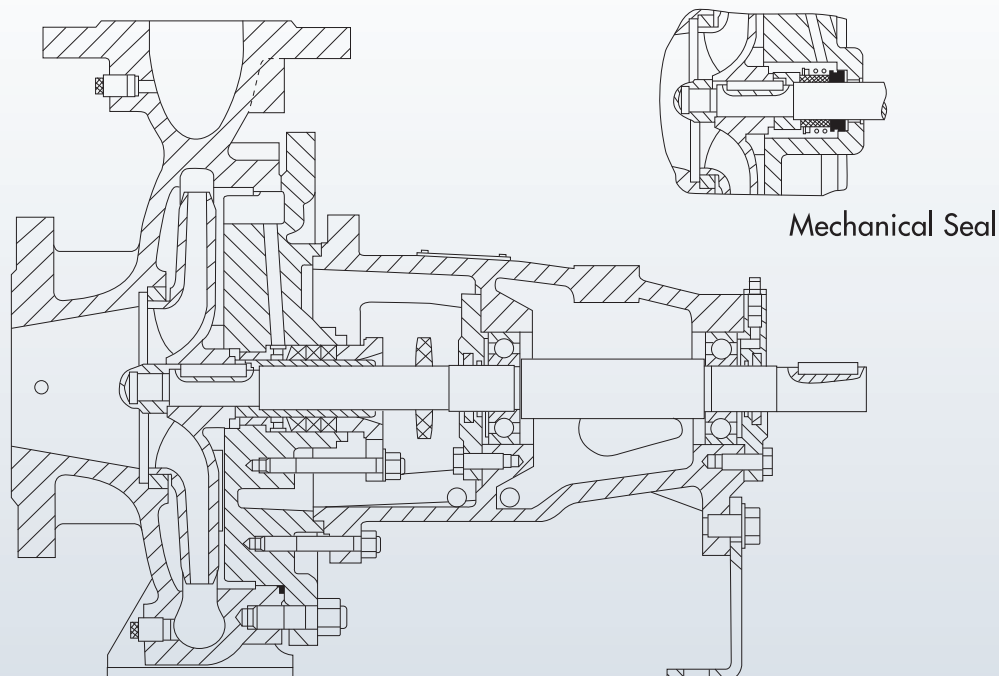




**BACK PULL-OUT  
CENTRIFUGAL PUMPS  
DIN 24255 SERIES**



## DESIGN FEATURES

### BACK PULL-OUT DESIGN

This design allows the rotating element of pump to be removed for servicing without disconnecting the pipework. The motor does not have to be moved if a spacer coupling is fitted, eliminating realignment problems during re-assembly.

### COMMON SPARE PARTS

There are only six shaft modules to cover the entire range of over fifty pump models. All pumps common to one shaft module have identical bearings, shaft sleeves, seals and impeller fastenings.

### VARIETY IN MATERIAL OF CONSTRUCTION

A wide variety of material of construction can be supplied to suit specific needs and applications. Fusion bonded ceramic (FBC) construction may also be offered to enhance efficiency and life span of pump.

## APPLICATION

- \* Condenser
- \* Air conditioning
- \* Irrigation
- \* Water circulation systems
- \* Water supply

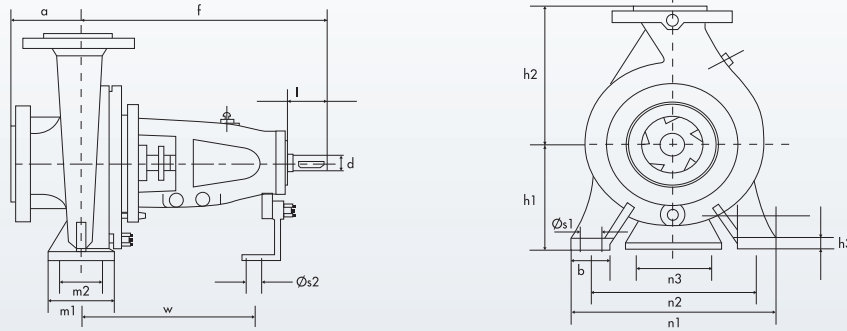
## MATERIALS OF CONSTRUCTION

Casing	Cast Iron / Ductile Iron
Impeller	Bronze / Cast Iron / Stainless Steel
Wear Ring	Cast Iron / Bronze
Shaft	Stainless Steel / High Tensile Steel
Shaft Nut	Bronze / Steel / Stainless Steel
Shaft Sleeve	Stainless Steel
Lantern Ring	Cast Iron / Bronze
Mechanical Seal	Carbon / Silicon Carbide / NBR

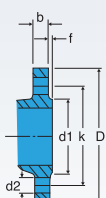
## NEAREST EQUIVALENT STANDARD

Material	Australian	British	American	DIN
Cast Iron	AS 1830/T200	BS 1452: GR 220	ASTM A48 CLASS 30	DIN 1691 GG 20
Bronze	AS 1565/836B	BSG 1400 LG2	ASTM B584 NO. 836	2.1096.03
Stainless steel	AS 1444 GR 420	BS 970 420/537	AIS 1420	X20CR13

## OUTLINE & INSTALLATION DIMENSIONS (mm)



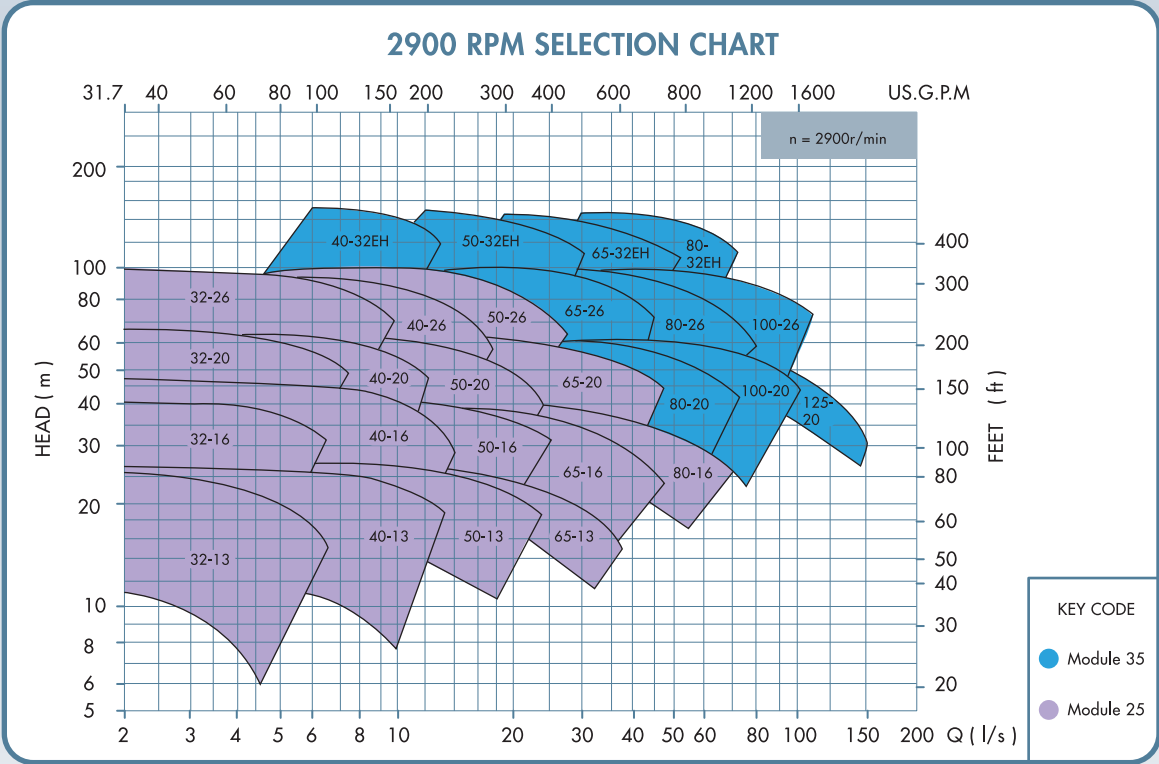
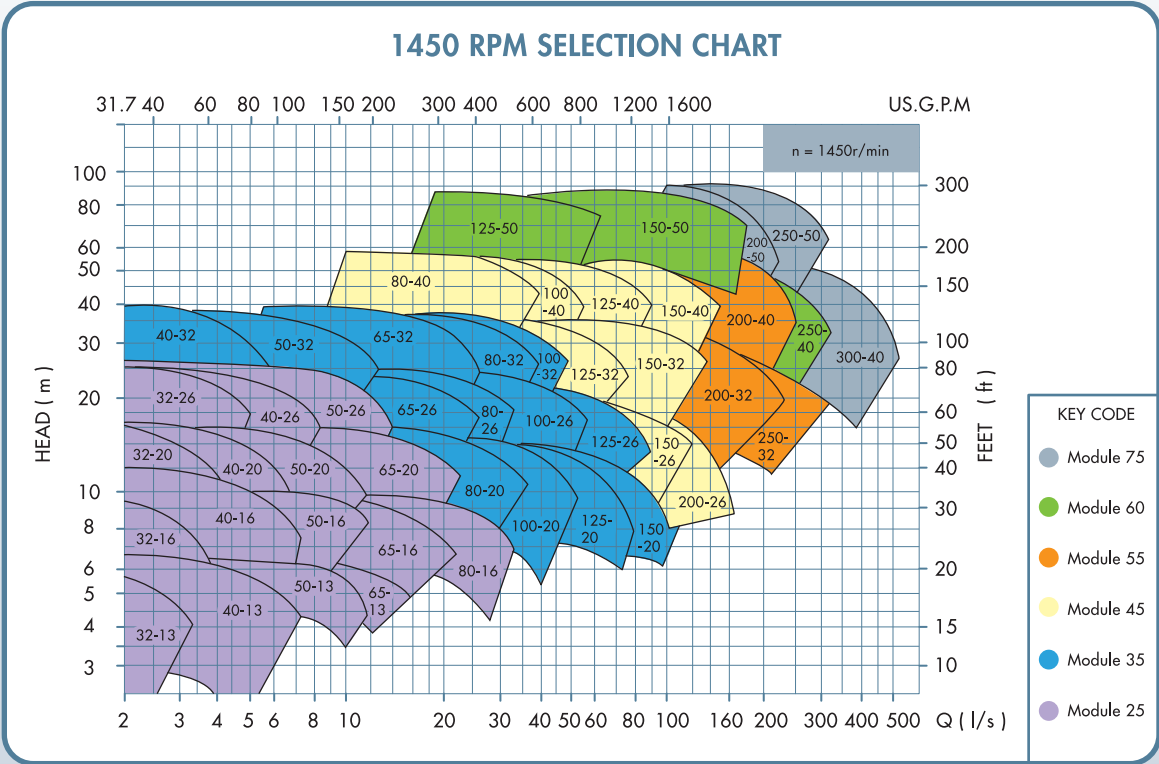
PUMP SIZE	BEARING HOUSING	SUCTION	DISCHARGE	PUMP DIMENSIONS				FOOT DIMENSIONS								SHAFT END		COUPLING KEY	NET WEIGHT (kg)		
				a	f	h1	h2	b	m1	m2	n1	n2	n3	h3	Øs1	Øs2	w			d	l
32 - 13	25	50	32	80	360	112	140	50	100	70	190	140	100	14	14	14	267	24	50	8 x 7	28
32 - 16	25	50	32	80	360	132	160	50	100	70	240	190	100	14	14	14	267	24	50	8 x 7	36
32 - 20	25	50	32	80	360	160	180	50	100	70	240	190	110	14	14	14	267	24	50	8 x 7	43
32 - 26	25	50	32	100	360	180	225	65	125	95	320	250	110	14	14	14	267	24	50	8 x 7	63
40 - 13	25	65	40	80	360	112	140	50	100	70	210	160	100	14	14	14	267	24	50	8 x 7	31
40 - 16	25	65	40	80	360	132	160	50	100	70	240	190	100	14	14	14	267	24	50	8 x 7	37
40 - 20	25	65	40	100	360	160	180	50	100	70	265	212	110	14	14	14	267	24	50	8 x 7	46
40 - 26	25	65	40	100	360	180	225	65	125	95	320	250	110	14	14	14	267	24	50	8 x 7	63
40 - 32	35	65	40	125	470	200	225	65	125	95	345	280	110	14	14	14	342	32	80	10 x 8	96
40 - 32 EH	35	65	40	125	470	200	225	65	125	95	345	280	110	14	14	14	340	32	80	10 x 8	96
50 - 13	25	65	50	100	360	132	160	50	100	70	240	190	100	14	14	14	267	24	50	8 x 7	34
50 - 16	25	65	50	100	360	160	180	50	100	70	265	212	110	14	14	14	267	24	50	8 x 7	38
50 - 20	25	65	50	100	360	160	200	50	100	70	265	212	110	14	14	14	267	24	50	8 x 7	48
50 - 26	25	65	50	100	360	180	225	65	125	95	320	250	110	14	14	14	267	24	50	8 x 7	65
50 - 32	35	65	50	125	470	225	280	65	125	95	345	280	110	16	14	14	342	32	80	10 x 8	101
50 - 32 EH	35	65	50	125	470	225	280	65	125	95	345	280	110	16	14	14	342	32	80	10 x 8	101
65 - 13	25	80	65	100	360	160	180	65	125	95	280	212	110	14	14	14	267	24	50	8 x 7	40
65 - 16	25	80	65	100	360	160	200	65	125	95	280	212	110	14	14	14	267	24	50	8 x 7	44
65 - 20	25	80	65	100	360	180	225	65	125	95	320	250	110	14	14	14	267	24	50	8 x 7	54
65 - 20 EH	35H	80	65	100	454	180	225	65	125	95	320	250	110	14	14	14	328	32	80	10 x 8	81
65 - 26	35	80	65	100	470	200	250	80	160	120	360	280	110	16	18	14	342	32	80	10 x 8	83
65 - 32	35	80	65	125	470	225	280	80	160	120	400	315	110	16	18	14	342	32	80	10 x 8	110
65 - 32 EH	35	80	65	125	470	225	280	80	160	120	400	315	110	16	18	14	342	32	80	10 x 8	110
80 - 16	25	100	80	125	360	180	225	65	125	95	320	250	110	14	14	14	267	24	50	8 x 7	55
80 - 20	35	100	80	125	470	180	250	65	125	95	345	280	110	14	14	14	342	32	80	10 x 8	72
80 - 26	35	100	80	125	470	200	280	80	160	120	400	315	110	16	18	14	342	32	80	10 x 8	92
80 - 32	35	100	80	125	470	250	315	80	160	120	400	315	110	16	18	14	342	32	80	10 x 8	120
80 - 32 EH	35	100	80	125	470	250	315	80	160	120	440	315	110	16	18	14	342	32	80	10 x 8	120
80 - 40	45	100	80	125	532	280	355	85	160	120	440	340	110	16	18	14	368	42	110	12 x 8	162
100 - 20	35	125	100	125	470	200	280	80	160	120	360	280	110	16	18	14	342	32	80	10 x 8	87
100 - 26	35	125	100	140	470	225	280	80	160	120	400	315	110	16	18	14	342	32	80	10 x 8	110
100 - 32	35	125	100	140	470	250	315	80	160	120	400	315	110	16	18	14	342	32	80	10 x 8	134
100 - 40	45	125	100	140	530	280	355	100	200	150	500	400	110	18	23	14	370	42	110	12 x 8	177
125 - 20	35	150	125	140	470	250	315	80	160	120	400	315	110	16	18	14	342	32	80	10 x 8	110
125 - 26	35	150	125	140	470	250	355	80	160	120	400	315	110	18	18	14	342	32	80	10 x 8	115
125 - 32	45	150	125	140	530	280	355	100	200	150	500	400	110	18	23	14	370	42	110	12 x 8	165
125 - 40	45	150	125	140	530	315	400	100	200	150	500	400	110	18	23	14	370	42	110	12 x 8	190
125 - 50	60	150	125	180	680	375	500	100	200	150	550	450	140	24	24	14	500	55	110	16 x 10	225
150 - 20	35H	200	150	160	495	280	400	100	200	150	550	450	110	20	23	14	367	32	80	10 x 8	140
150 - 26	45	200	150	160	530	250	355	100	200	150	450	350	110	18	23	14	370	42	110	12 x 8	152
150 - 32	45	200	150	160	530	280	400	100	200	150	550	450	110	18	23	14	370	42	110	12 x 8	175
150 - 40	45	200	150	160	530	315	450	100	200	150	550	450	110	18	23	14	370	42	110	12 x 8	210
150 - 50	60	200	150	180	670	375	500	100	200	150	550	450	140	24	24	15	500	55	110	16 x 10	320
200 - 26	45	250	200	180	546	280	400	100	200	150	550	450	110	25	26	15	389	42	110	12 x 8	205
200 - 32	55	250	200	200	670	355	450	100	200	150	550	450	110	20	24	15	500	48	110	14 x 9	320
200 - 40	55	250	200	200	670	355	500	100	200	150	550	450	110	20	24	15	500	48	110	14 x 9	350
200 - 50	75	250	200	240	783	425	545	160	300	240	720	600	140	30	27	23	534	70	140	20 x 10	450
250 - 32	55	300	250	200	670	355	525	100	250	175	600	500	110	24	23	14	511	48	110	14 x 9	400
250 - 40	60	300	250	250	670	400	500	120	300	250	710	600	110	25	24	14	511	55	110	16 x 10	480
250 - 50	75	300	250	240	783	425	545	160	300	240	720	600	140	30	27	23	534	70	140	20 x 10	500
300 - 40	75	350	300	280	783	500	600	150	300	200	800	660	140	40	27	23	550	70	140	20 x 10	548



Branch Size	32	40	50	65	80	100	125	150	200	250	300	350
k	100	110	125	145	160	180	210	240	295	355	410	470
n-d2	4 - Φ18	4 - Φ18	4 - Φ18	4 - Φ18	8 - Φ18	8 - Φ18	8 - Φ18	8 - Φ22	12 - Φ22	12 - Φ25	12 - Φ25	16 - Φ25
D	140	150	165	185	200	220	250	285	340	405	460	520

\* Flange dimensions and drilling in accordance with ISO 2084 - 16BAR (BS 4504-1969 TABLE 16/11)  
 \* Holes are equally spaced straddling pump centreline.

# SELECTION CHART



For enquiries, please contact :